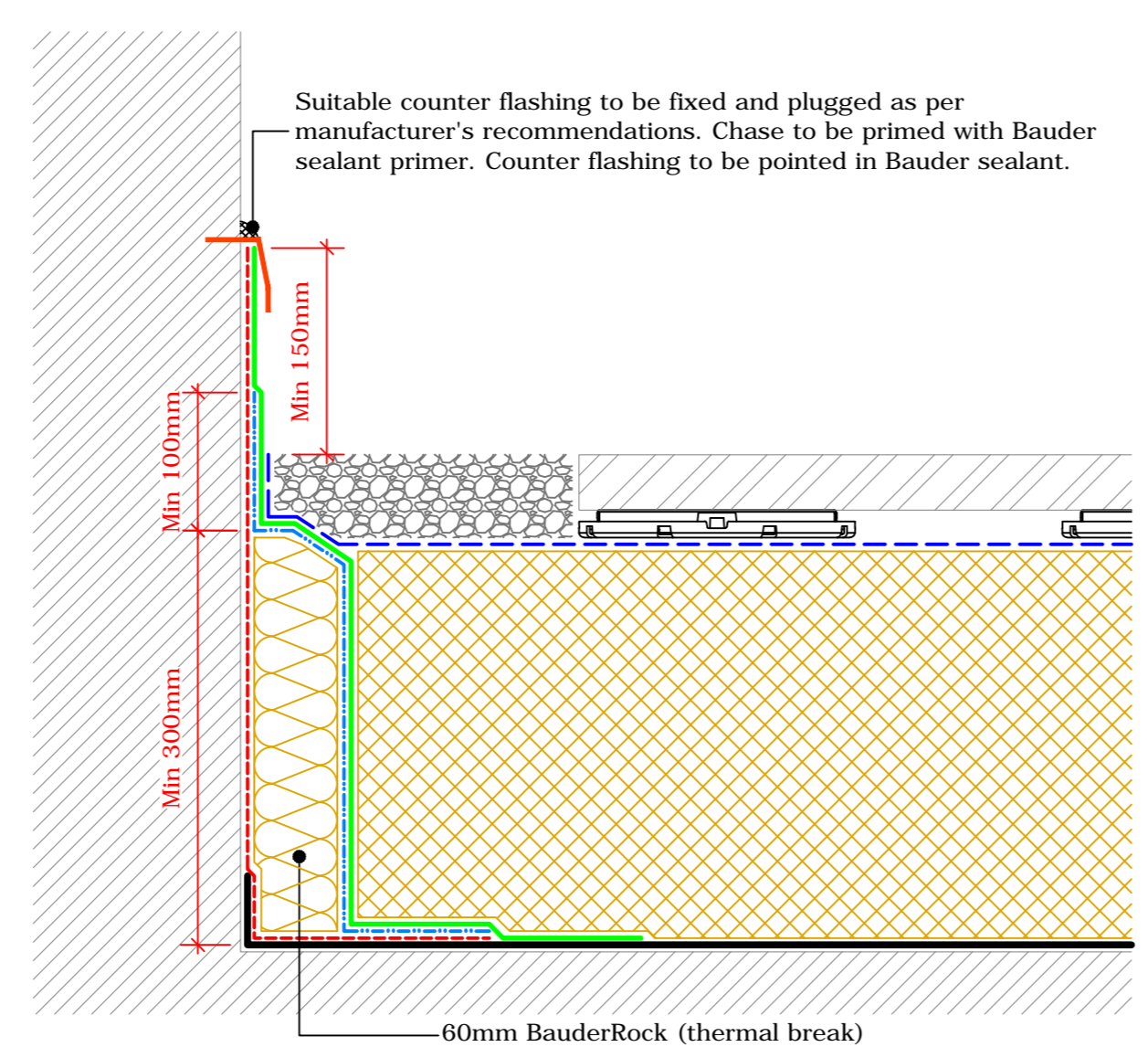
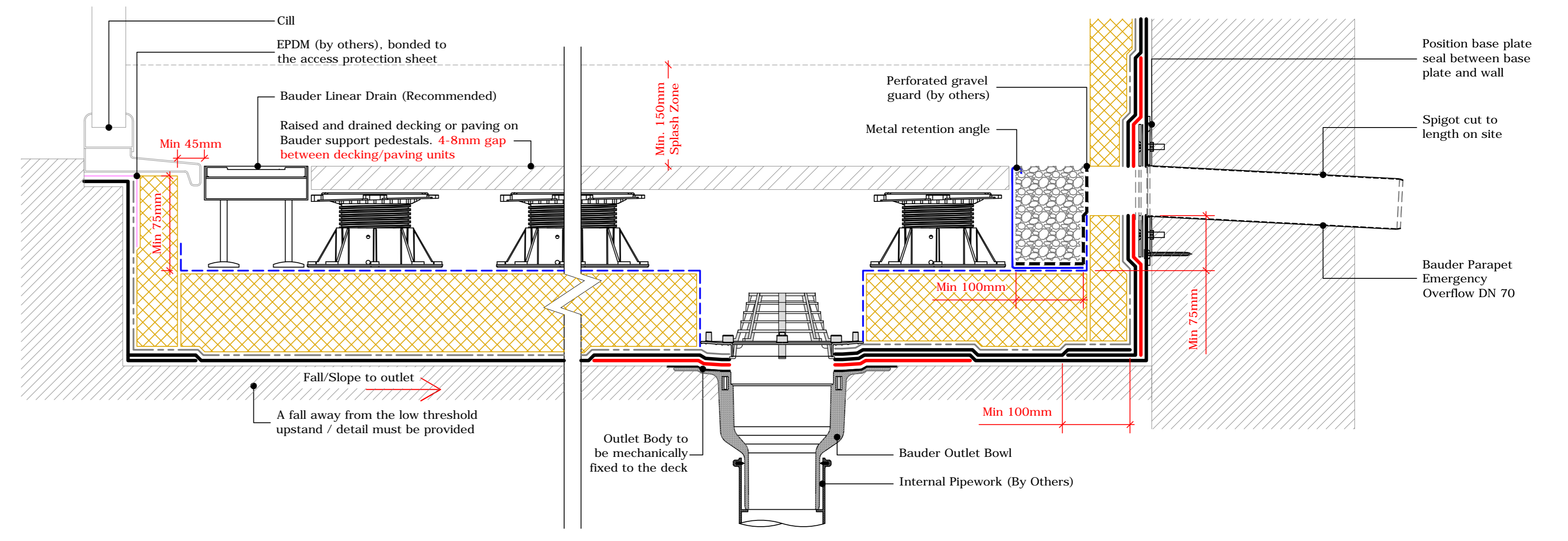


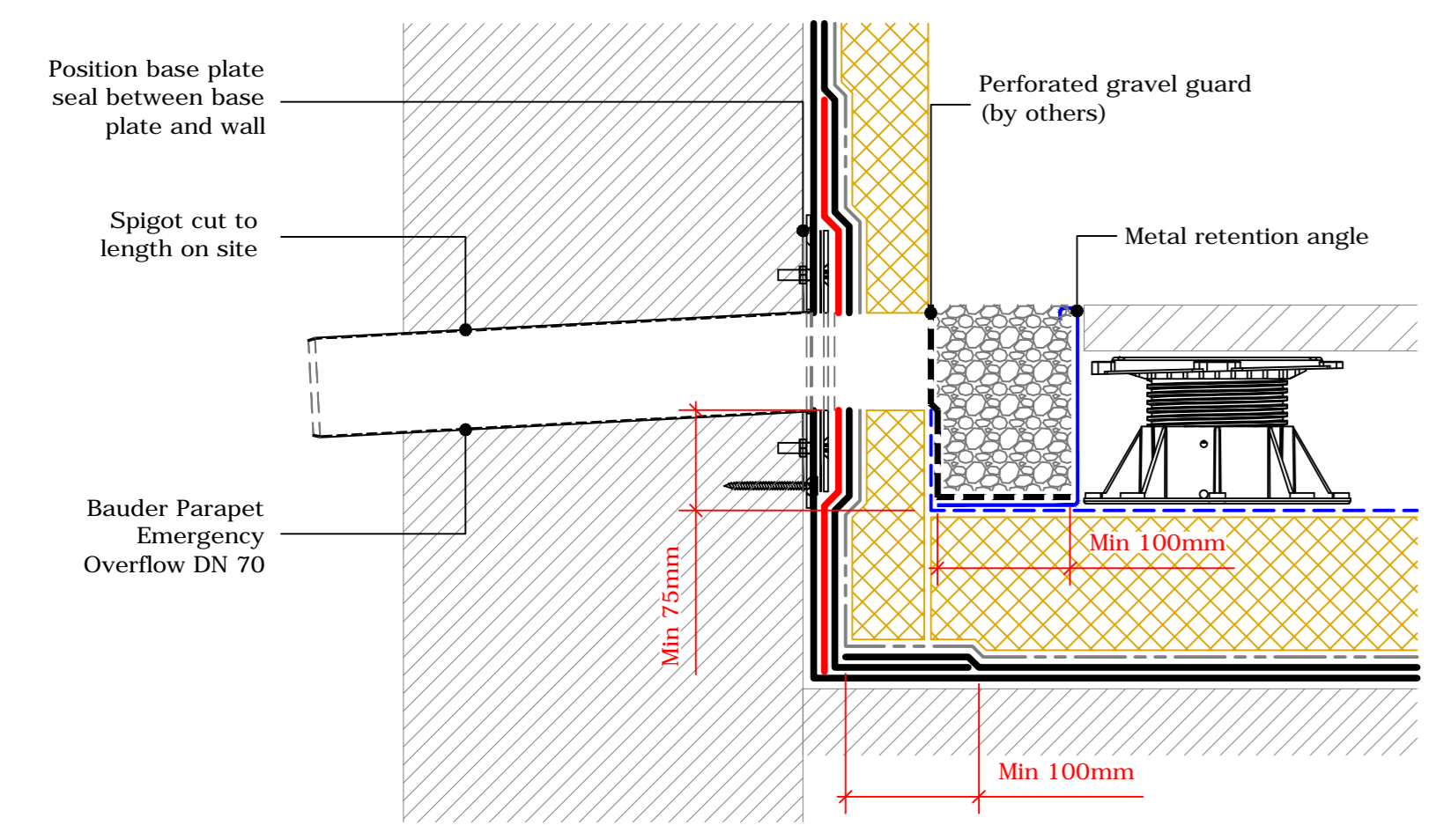
Uninsulated Upstand - Termination Bar
(Drg.No: D0700-001_101-010)



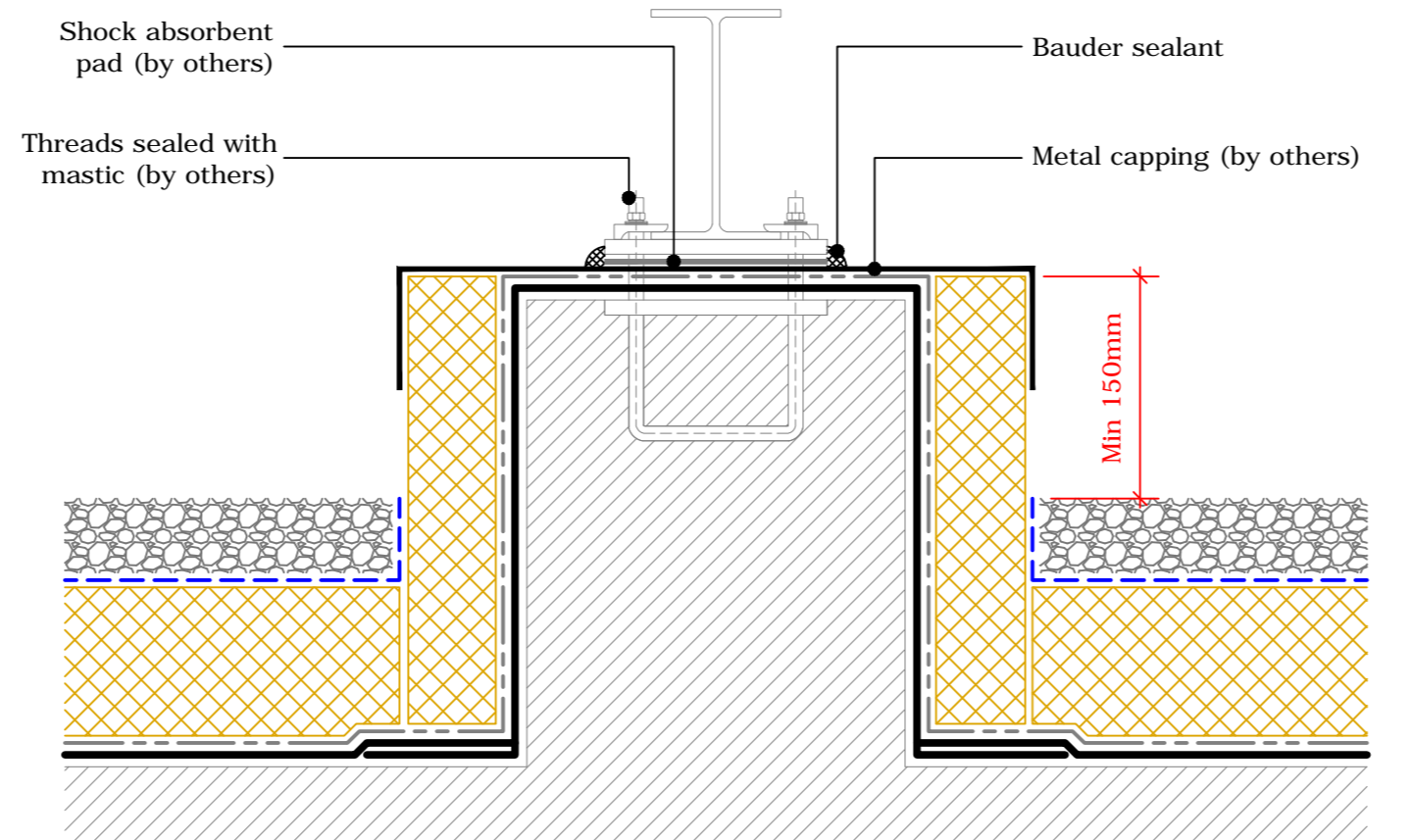
Insulated Upstands - Non Combustible Thermal Break - Suitable Flashing
(Drg.No: D0700-001_201-006)



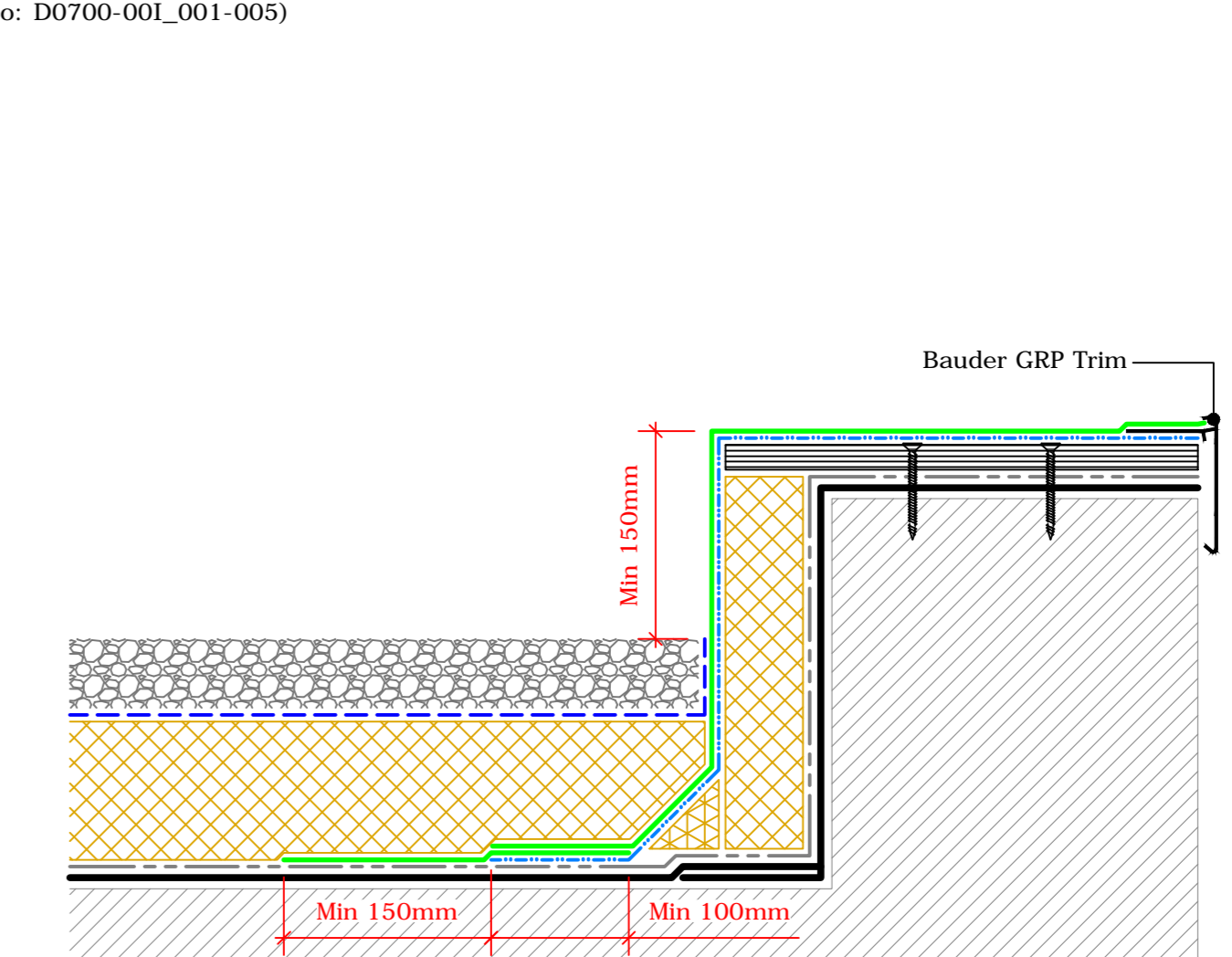
Insulated Upstands - Level Threshold - With Outlet
(Drg.No: D0700-001_001-005)



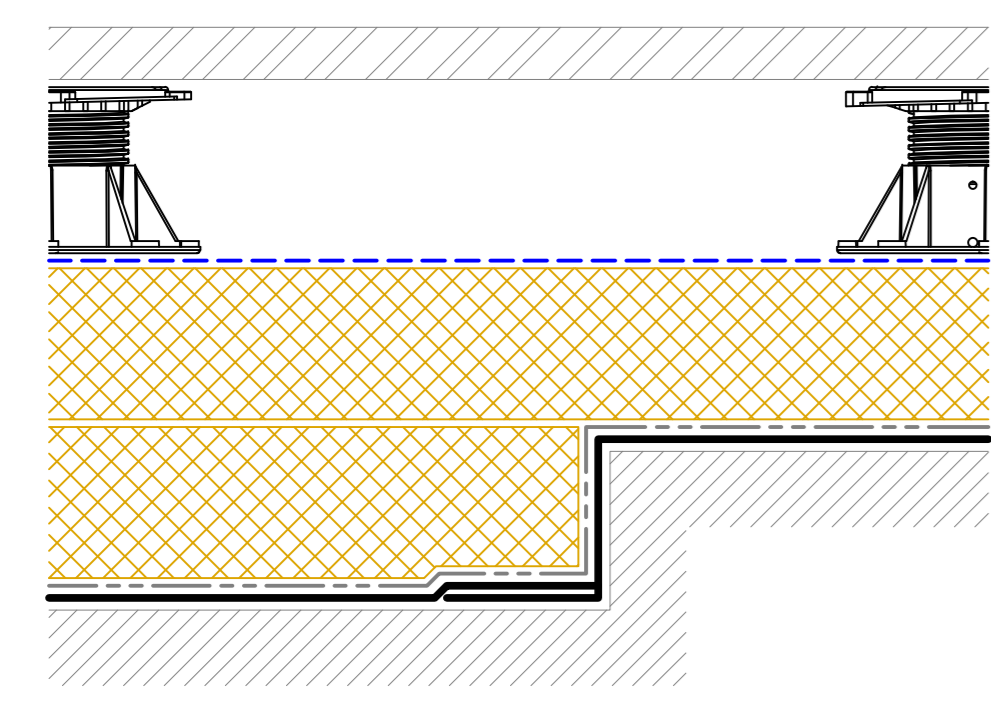
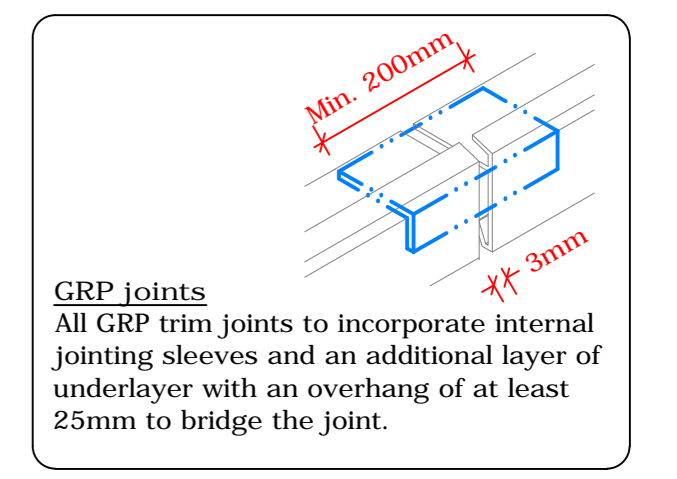
Insulated Upstands - Emergency Overflow
(Drg.No: D0700-001_206-004)



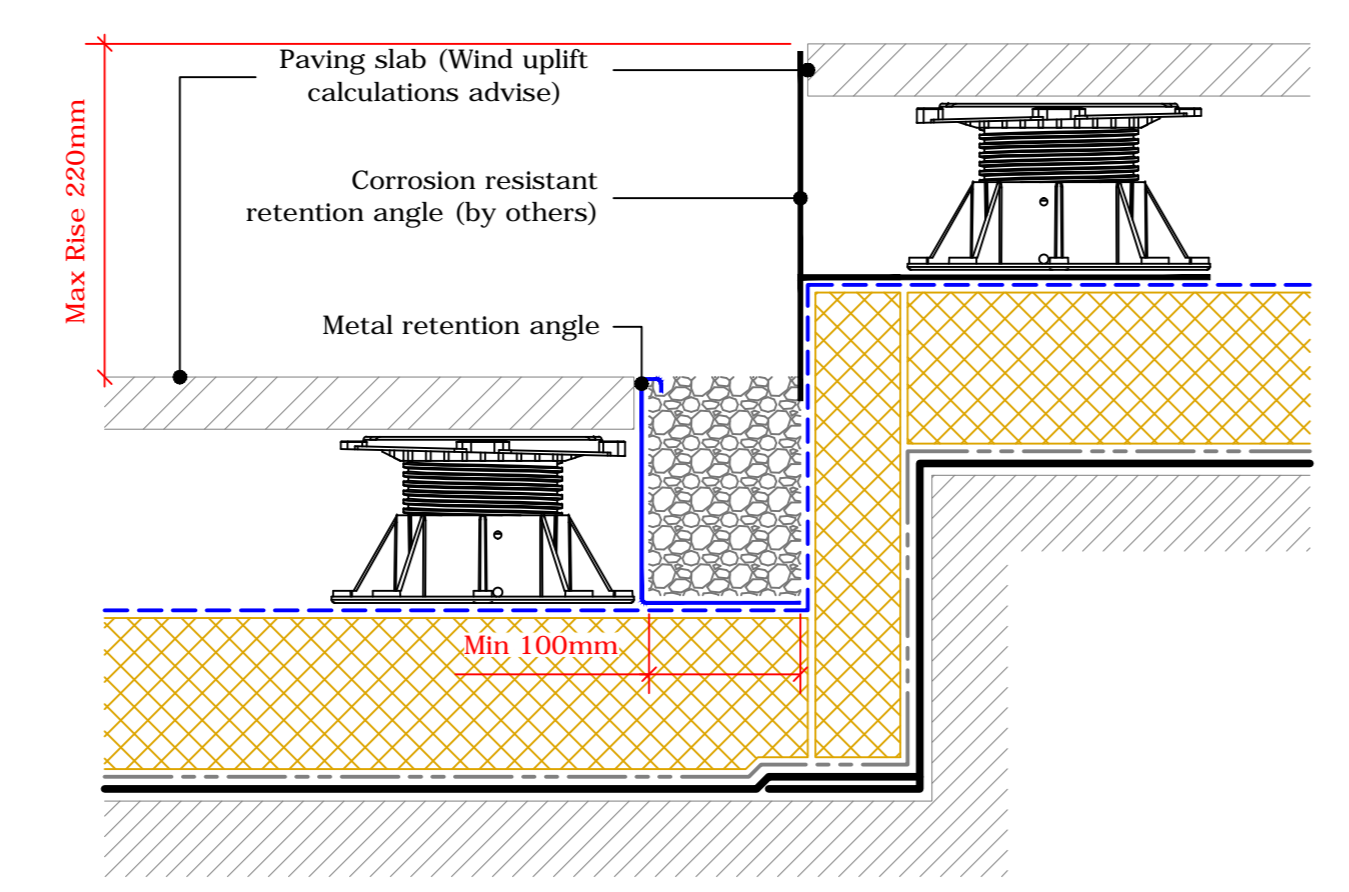
BMV Track Detail
(Drg.No: D0700-001_202-003)



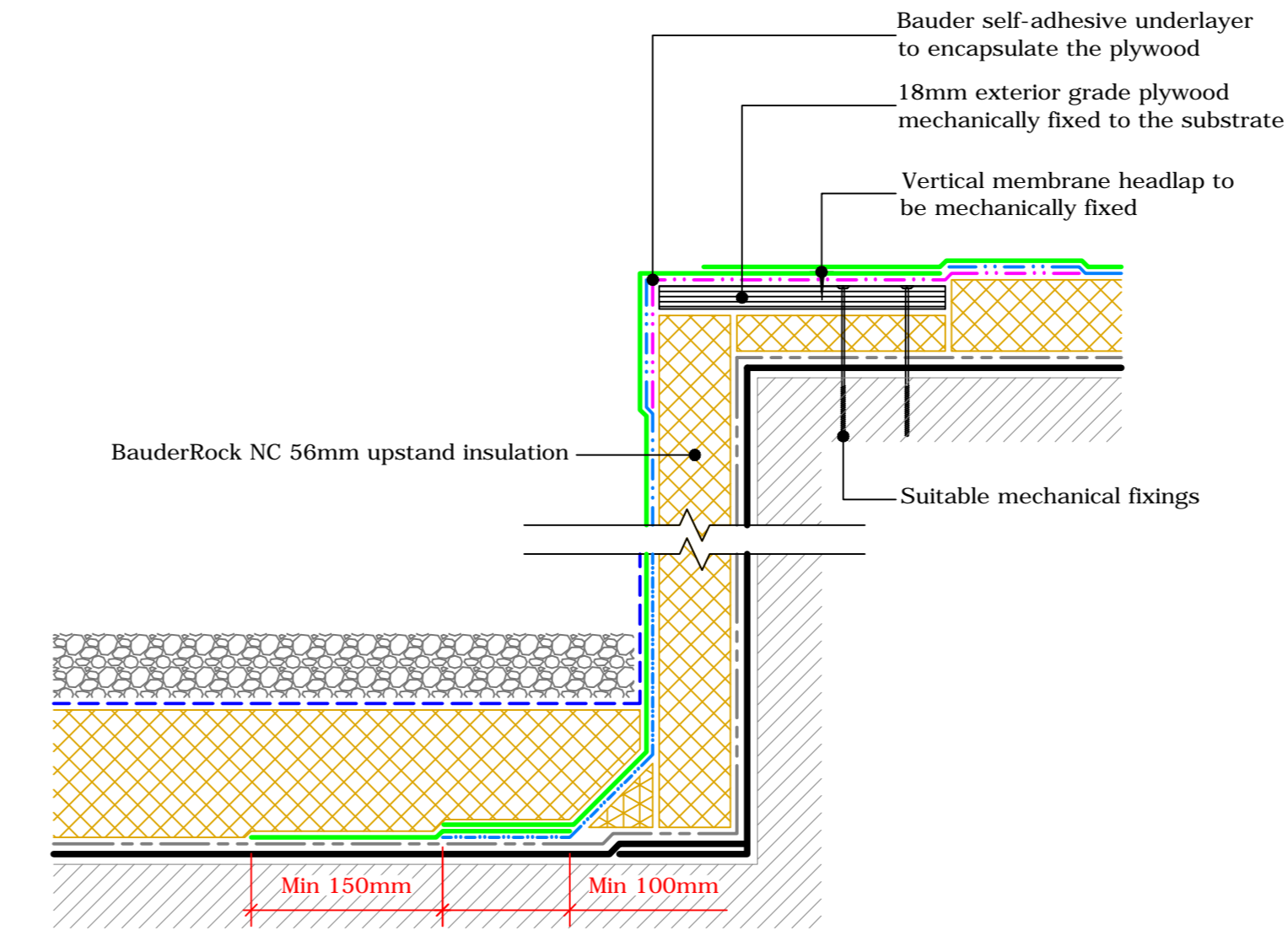
Insulated Upstands - Felt Capping - GRP Trim
(Drg.No: D0700-001_203-003)



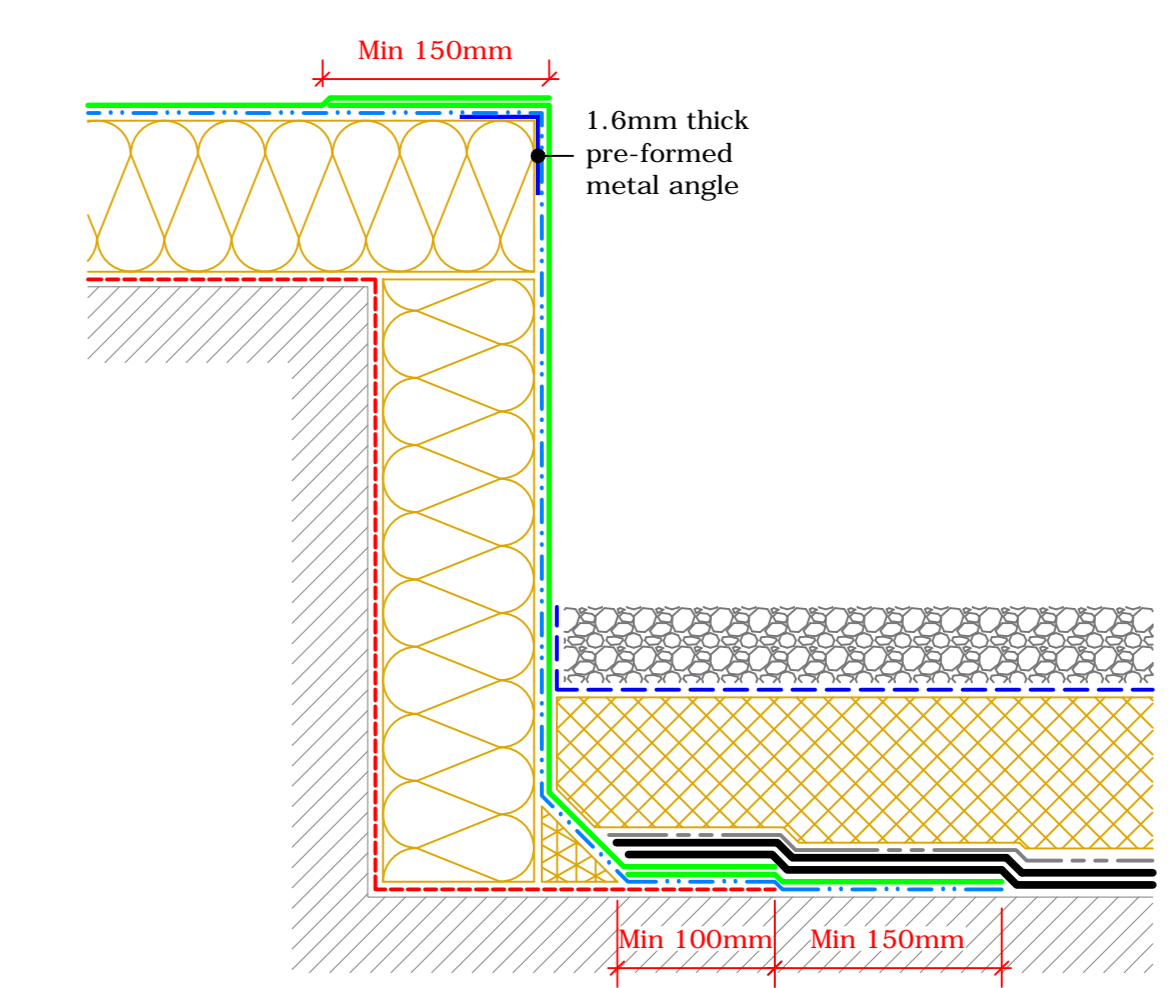
Change In Level - Without Step
(Drg.No: D0700-001_010-005)



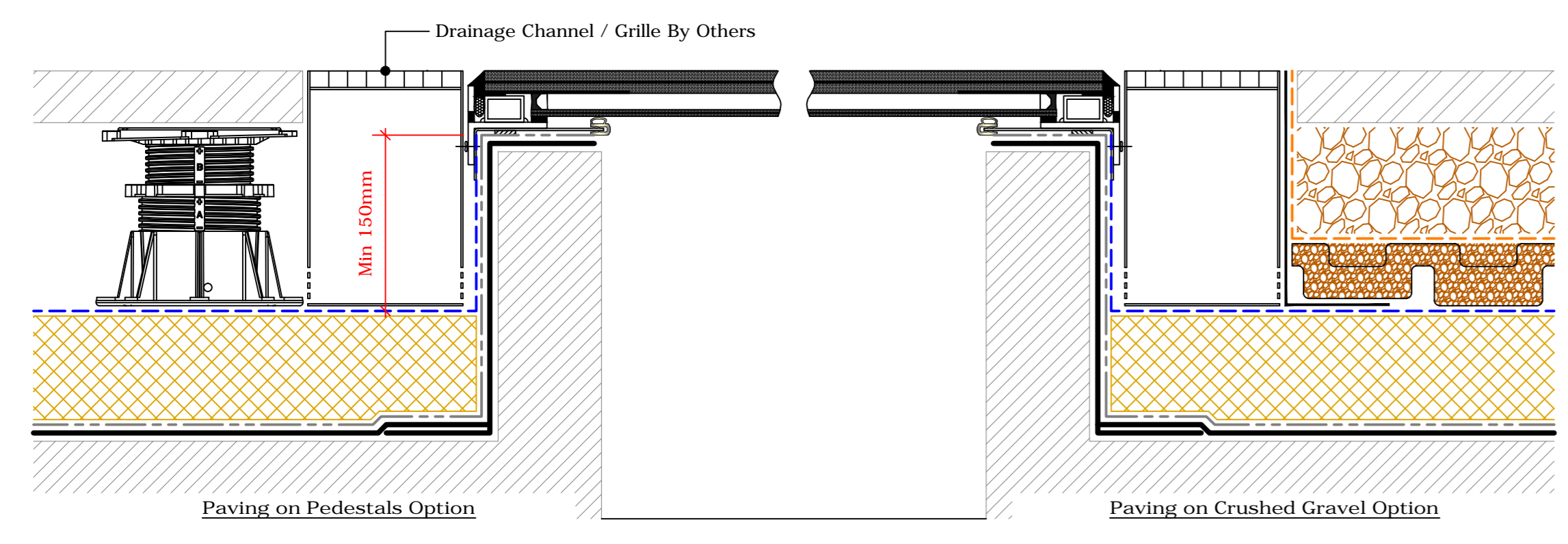
Insulated Upstands - Change In Level - Bauder Support Pedestals
(Drg.No: D0700-001_210-006)



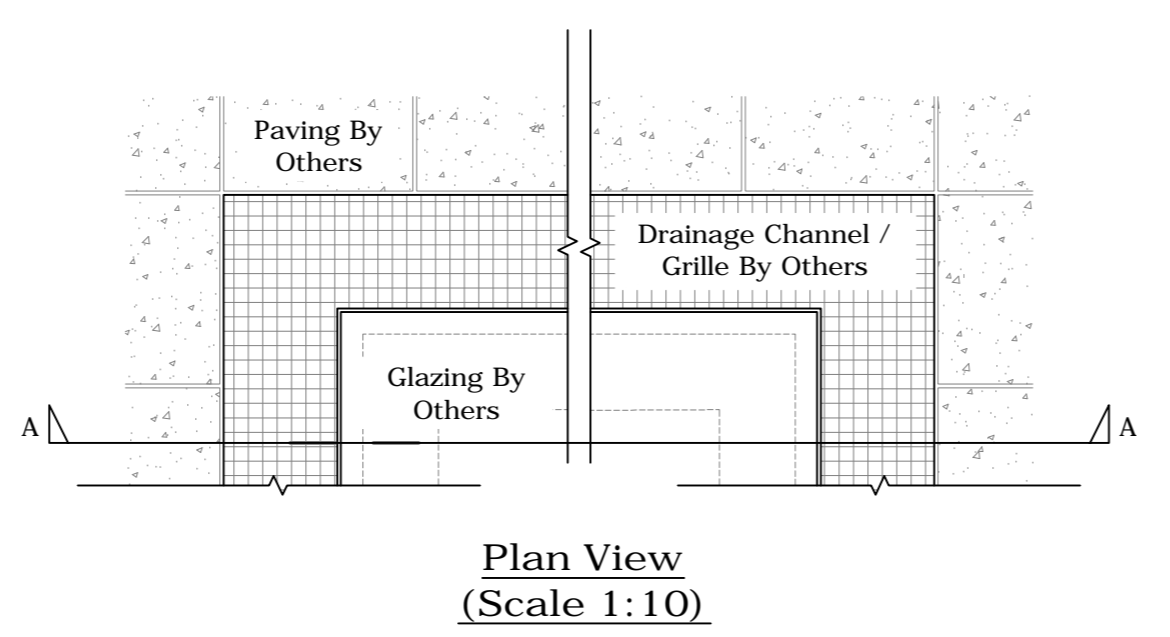
Insulated Upstands - Change In Level - Lift Over
(Drg.No: D0700-001_210-007)



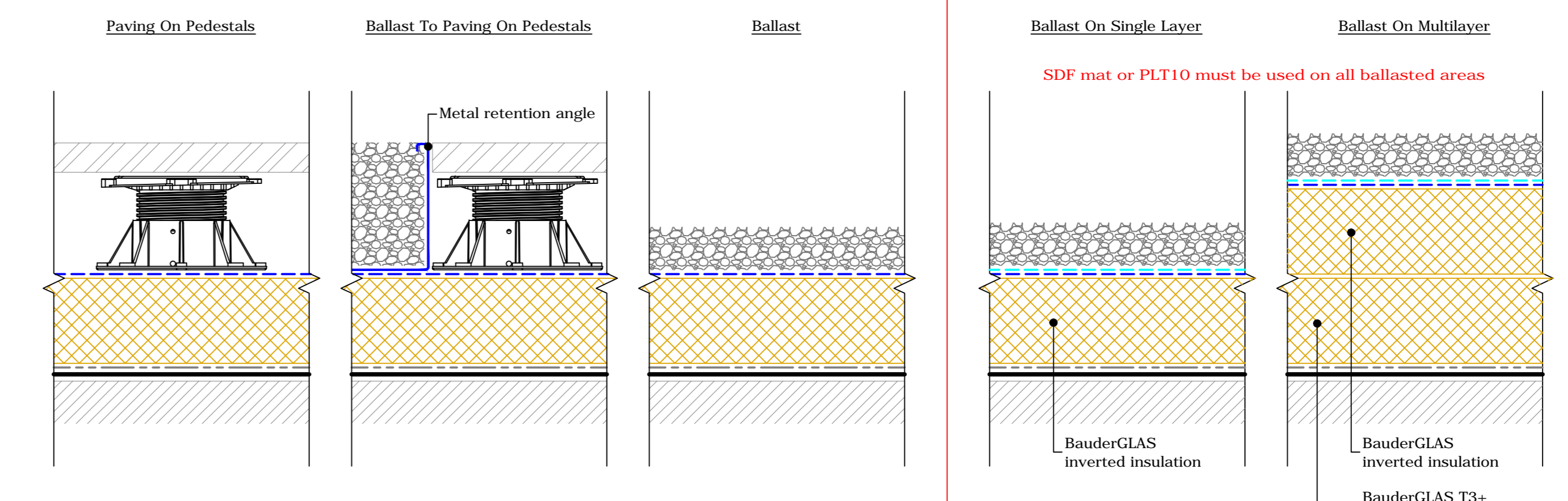
Insulated Upstands - Change In Level - Warm Roof Upstand
(Drg.No: D0700-001_210-008)



Walk On Glazing (Section A-A)
(Drg.No: D0700-001_009-003)



Plan View (Scale 1:10)



Build-Up Options

BauderGLAS Build-Up Options

Key

- Paving / Brickwork
- Crushed Gravel
- Bauder Mineral Drain
- DSE60 Drainage Board (Refer to the specification for the correct board to be used)
- Ballast
- Bauder Filter Floor
- Bauder SDF Mat Or PFT10 Drainage Layer
- Bauder WFR Membrane
- Bauder Inverted Insulation
- EPDM By Others
- Bauder Protection Sheet (Mineral Felt)
- Bauder AFI Access Sheet
- Bauder Baker Hotmelt Membrane Incorporating Neoprene Reinforcement
- Code 4 Lead Flashing
- Bauder Capping Sheet For All Green Roof Details (Use Bauder Boot Restmate Cap Sheet)
- Bauder Underlayer
- Plywood
- Bauder Insulation
- Bauder Insulated Fillet
- Bauder AF And Vapour Control Layer (Use Bauder Self Adhesive Vapour Control Layer on Combustible Substrates)
- Deck / Substrate

IMPORTANT NOTES:

- This detail is suitable for the following Bauder Systems: **Bauder Hotmelt**
- Do not scale to ascertain dimensions.
- All dimensions to be checked and verified on site prior to commencement of work.
- This drawing is to be read in conjunction with the specification and associated drawings.
- This detail is a guideline only, representing typical detailing conditions and illustrates the correct application of the above Bauder Systems. It may be necessary to modify this detail to suit specific project design constraints and conditions.
- Refer to the Bauder Specification for the product description and method of application. For clarity the method of attachment has not been shown.
- Provision should be made by the installer for mechanically fixing the top leading edge of all upstand details to excess of 200mm in height using appropriate fasteners.

BAUDER

UK OFFICE: Bauder Limited, 70 Lambour Road, Ipswich, Suffolk, IP1 0DR, England. Tel: +44 (0)1473 257871. Fax: +44 (0)1473 257871. Email: technical@bauder.co.uk

IRELAND OFFICE: Bauder Limited, O'Duffy Centre, Cross Lane, Carrigrohane, Co. Wexford, Ireland. Tel: +353 (0)42 9602 333. Fax: +353 (0)42 9602 870. Email: technical@bauder.ie

bauder.co.uk bauder.ie

HOTMELT TYPICAL DETAILS (Insulated Upstands) Sheet 2 Of 2

Scale:	D0700-001_200-002	Sheet:	2
Drawn By:	CD	Checked By:	AH
Approved By:	AH	Issue Date:	15.05.22

© Copyright. This drawing is subject to copyright. No part of this document may be reproduced in any form, without the permission of BAUDER LTD.