

PRODUCT DATA SHEET

Bauder Adjustable (PB) Pedestal

A Lightweight, adjustable pedestal designed for use on flat roofing. The simple pedestal with a wide range of accessories enables paving, decking and grating solutions on flat roofs. It features a wide base plate to spread load across the roof surface. The product comes with a full range of accessories.



Intended Use

The PB pedestal range can be used to achieve depths from 18mm to 955mm. The pedestals are capable of absorbing in excess of one tonne of load. The pedestals can be used where the walking surface follows the underlying roof slope and where levels need to be adjusted.

The pedestals feature a 197mm diameter base to negate the need for additional load spreader. Suitable for use with paving, decking and grating.

The range includes accessories such as: shims, spacers, joist holders and edging details, that enable the product to solve numerous paving and decking problems.

PB PEDESTAL - PRODUCT INFORMATION AND TECHNICAL PERFORMANCE

Detail		Unit	Value	
Head Diameter		mm	170	
Base Diameter		mm	197	
Detail	Height in mm	Weight in grammes	Compressive Strength in KN	
PB-0-S18	18-28	195	21	SIRRIS Tested
PB-01	28-42	232	10	SIRRIS Tested
PB-1	42-60	309	14	SIRRIS Tested
PB-2	60-90	389	17	SIRRIS Tested
PB-3	90-145	492	16	SIRRIS Tested
PB-4	145-245	692	15	SIRRIS Tested
PB-5	230-315	892	10	SIRRIS Tested
PB-6	285-367	970	10	SIRRIS Tested
PB-7	365-480	1170	14	SIRRIS Tested
PB-8	480-595	1450	11	SIRRIS Tested
PB-9	560-715	1650	12	SIRRIS Tested
PB-10	675-830	1930	10	SIRRIS Tested
PB-11	755-955	2970	12	SIRRIS Tested
Note: Not all Products are listed:- Combinations of pedestal couplers etc can be used to achieve depths from 18mm to 955mm. Optional Slope corrector PH5 can be used with this product				
Removable Spacers	17	mm		3, 4.5 & 6 wide
Manufactured from				Copolymer polypropylene (CPP)

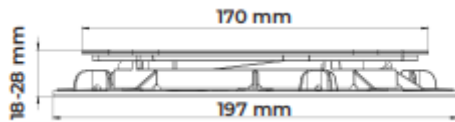
UNITED KINGDOM

Bauder Ltd
70 Landseer Road, Ipswich, Suffolk IP3 0DH
T: +44 (0)1473 257671 E: info@bauder.co.uk
bauder.co.uk

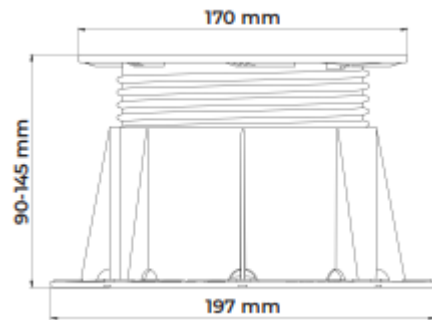
IRELAND

Bauder Ltd
O'Duffy Centre, Carrickmacross, Co. Monaghan
T: +353 (0)42 9692 333 E: info@bauder.ie
bauder.ie

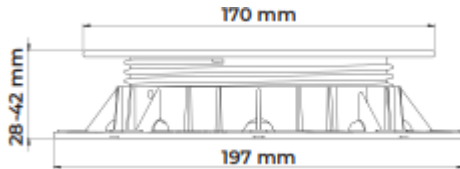
PRODUCT DATA SHEET



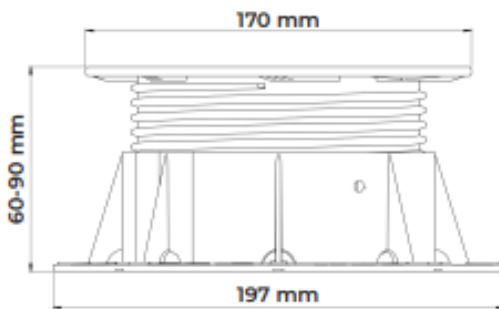
Bauder PB-0-S18



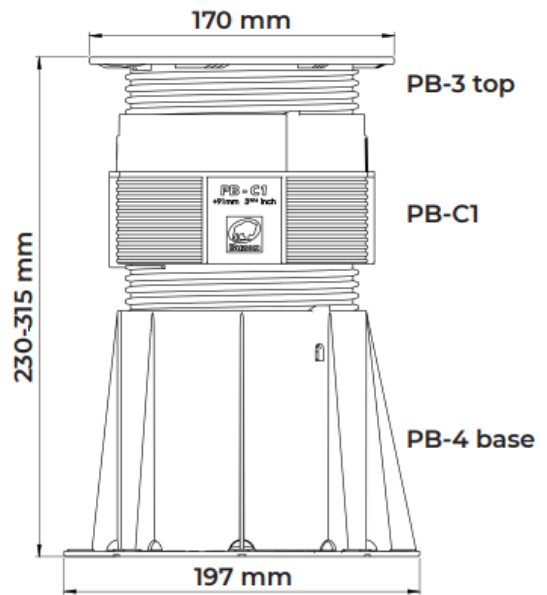
Bauder PB-3



Bauder PB-01



Bauder PB-2



Bauder PB-5

UNITED KINGDOM

Bauder Ltd
70 Landseer Road, Ipswich, Suffolk IP3 0DH
T: +44 (0)1473 257671 E: info@bauder.co.uk
bauder.co.uk

IRELAND

Bauder Ltd
O'Duffy Centre, Carrickmacross, Co. Monaghan
T: +353 (0)42 9692 333 E: info@bauder.ie
bauder.ie

PRODUCT DATA SHEET

Batten Holder



Aluminium Rail Holder



Spacer Tabs



17mm high
Thickness: 3 and 4.5mm
25mm high
Thickness: 3,4.5,6,8
and 10mm

Shims



U-E10 (T- 1mm)
U-E20 (T- 2mm)

UNITED KINGDOM

Bauder Ltd
70 Landseer Road, Ipswich, Suffolk IP3 0DH
T: +44 (0)1473 257671 E: info@bauder.co.uk
bauder.co.uk

IRELAND

Bauder Ltd
O'Duffy Centre, Carrickmacross, Co. Monaghan
T: +353 (0)42 9692 333 E: info@bauder.ie
bauder.ie

PRODUCT DATA SHEET

CERTIFICATION AND ENVIRONMENTAL INFORMATION	
BBA Certificate	N/A
Environmental Product Declaration (EPD)	N/A
International Standards Organisation (ISO)	<p>ISO 9001:2015 Quality Management Certificates EN1271 (UK) and 70499/03-15_e (Belgium).</p> <p>ISO 14001:2015 Environmental Management Certificates A10552 (UK) and 70499/03-15_d (Belgium).</p> <p>ISO 50001: 2011 Energy Management Certificate 70499/03-15_c (Belgium)</p>
Recycled content	>80% (Recycled CCP +20% Talc + Masterbatch black)

PRODUCT INFORMATION AND TECHNICAL PERFORMANCE			
Characteristic	Test method	Unit	Value
Temperature Range		C°	-30 to +80
Visible defects	BS EN 1850-1	-	no visible defects

INSTALLATION GUIDANCE
<p>The Bauder Pedestal Systems should be installed in line with the Bauder guidance, in particular aligning slope correctors to keep the paving or decking surfaces level. Spacers must always be fitted to keep gaps consistent and insure adequate drainage. All cuts and edges are retained using the various edging products to prevent joint movement.</p>
<p>Bauder pedestals are designed to support external raised floors for pedestrian traffic only and are not designed to support or be subjected to moving and/or vibrating machinery & equipment, including maintenance and cleaning equipment, vehicles and other similar equipment.</p>

Bauder reserves the right to amend information and product specifications without prior notice. All reasonable care has been taken to ensure that all data is current at the time of print, however because Bauder pursues a policy of constant development we recommend ensuring that your copy of this information is current by contacting our Technical Department at technical@bauder.co.uk

Recommendations for use should be verified as to the suitability and compliance with actual requirements, specifications, installation techniques and any applicable laws and regulations.

UNITED KINGDOM

Bauder Ltd
70 Landseer Road, Ipswich, Suffolk IP3 0DH
T: +44 (0)1473 257671 E: info@bauder.co.uk
bauder.co.uk

IRELAND

Bauder Ltd
O'Duffy Centre, Carrickmacross, Co. Monaghan
T: +353 (0)42 9692 333 E: info@bauder.ie
bauder.ie