

Bauder GRP Trim & GRP Water Check Trim

V6 29.11.2024

Product description

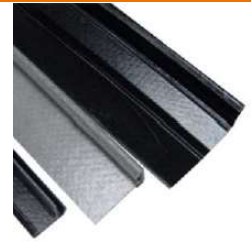
Bauder GRP Trim & Bauder GRP Water Check Trim are made from glass reinforced plastic. GRP has a far lower coefficient of thermal expansion than aluminum or steel meaning less movement at the joints, along with a higher strength to weight ratio.

Application fields

Bauder GRP trims are to be used at roof edges in conjunction with Bauder bituminous roof systems. The GRP trim is available in a colour choice of black or grey and a range of profiles to suit the requirements of most projects. The GRP Water Check Trim is only available in black. The Water Check Trims can also be used with Cold Liquid applied membranes.

Article Number

GB60011--- (GRP Trim – last three digits vary)
GB6001 --- (GRP Water Check Trim – last four digits vary)



PRODUCT INFORMATION – Internal jointing sleeves and 90° pre-formed angles are also available

GRP Trim Product Range	Face Depth (mm)	Fixing Arm (mm)	Length (m)	Thickness (mm)	Colour
Type 1	44	50	2.5	2.5	Black
Type 2	44	90	2.5	2.5	Black
Type 3	70	65	2.5	2.5	Black or Grey
Type 4*	100	65	2.5	2.5	Black or Grey
Type 6**	150	75	2.5	2.5	Black or Grey
GRP Water Check Trim***	Face Depth & Cover depth (mm)	Fixing Arm (mm)	Length (m)	Thickness (mm)	Colour
Type A	65	60	3	2.5	Black
	46				
Type B*	100	60	3	2.5	Black
	80				
Type C**	150	60	3	2.5	Black
	130				
Type D**	200	80	3	2.5	Black
	175				

*For roofs higher than 10 metres in height, the **Type 4 GRP trim & Type B Water Check trim** will require 3 additional fixings per length of trim. The fixings are to be face fixed with screws and positioned halfway down from the top edge, one fixing 100mm in from each end and one in the centre and capped with coloured matched plastic weathering caps.

A fixed timber packer will be required behind the face of the trim to help facilitate ease of fixing.

****Type 6 trim and Type C & D Water Check trims** will require 3 additional fixings per length of trim regardless of building height. The fixings are to be face fixed with screws and positioned halfway down from the top edge, one fixing 100mm in from each end and one in the centre and capped with coloured matched plastic weathering caps.

A fixed timber packer will be required behind the face of the trim to help facilitate ease of fixing.

***Water Check Trim – Where the top of the parapet is installed flat or has no inward fall, we would suggest using the GRP Water Check Trim to avoid any standing water being blown over the trim and staining the brickwork/render. Should also be used on parapets with a width greater than 200mm.

The Bauder GRP Water Check Trims can also be used for Bauder Cold Liquid Applied Roof Systems.

Storage guidance

The product should be stored dry, protected against weathering, and must not be exposed to temperatures exceeding 35°C. The products must not be exposed to a direct naked flame or other ignition sources, or to solvents or other chemicals. Ensure the product(s) are clear of buildings and any other storage areas. Where there are storage containers on site, these may be suitable for storing products.

Packaging material

All products are wrapped in polythene (readily recyclable) for short term protection.

Handling/PPE

All persons using the product should be fully aware of the manual handling methods as roofing materials are heavy and can cause serious injury. When using the product, installers should be provided with, and wear, suitable personal protective equipment.

Disposal guidance

Disposing of any waste material must be carried out in accordance with national regulations.

Recommended EWC waste codes:

17 09 04 mixed construction and demolition wastes other than those mentioned in 17 09 01, 17 09 02 and 17 09 03.

Further information/ documents

Current documents such as brochures, installation guides, etc. can be found by visiting www.bauder.co.uk

Technical data sheet

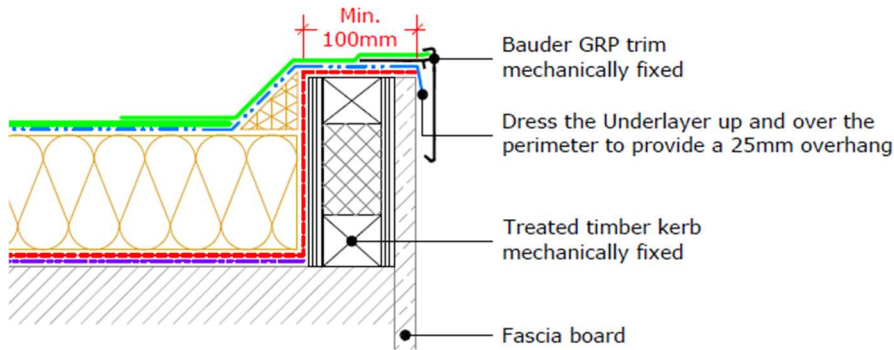
International Standards Organisation (ISO)

ISO 9001:2015 Quality Management
Certificates EN1271 (UK)

ISO 14001:2015 Environmental Management Certificates
A10552 (UK)

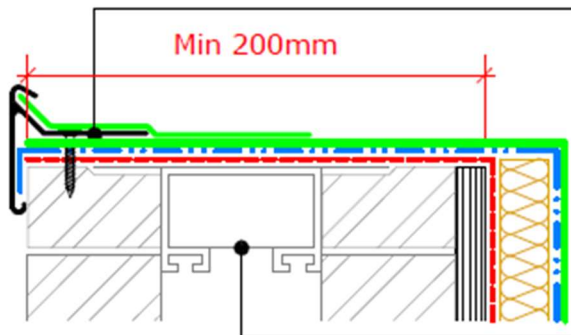
Installation Guidance:

Refer to the Bauder Installation Guide and project specification for guidance.



Important note: Bauder GRP Trim to be used on parapets and perimeter kerbs with an inward fall or are less than 200mm in width.

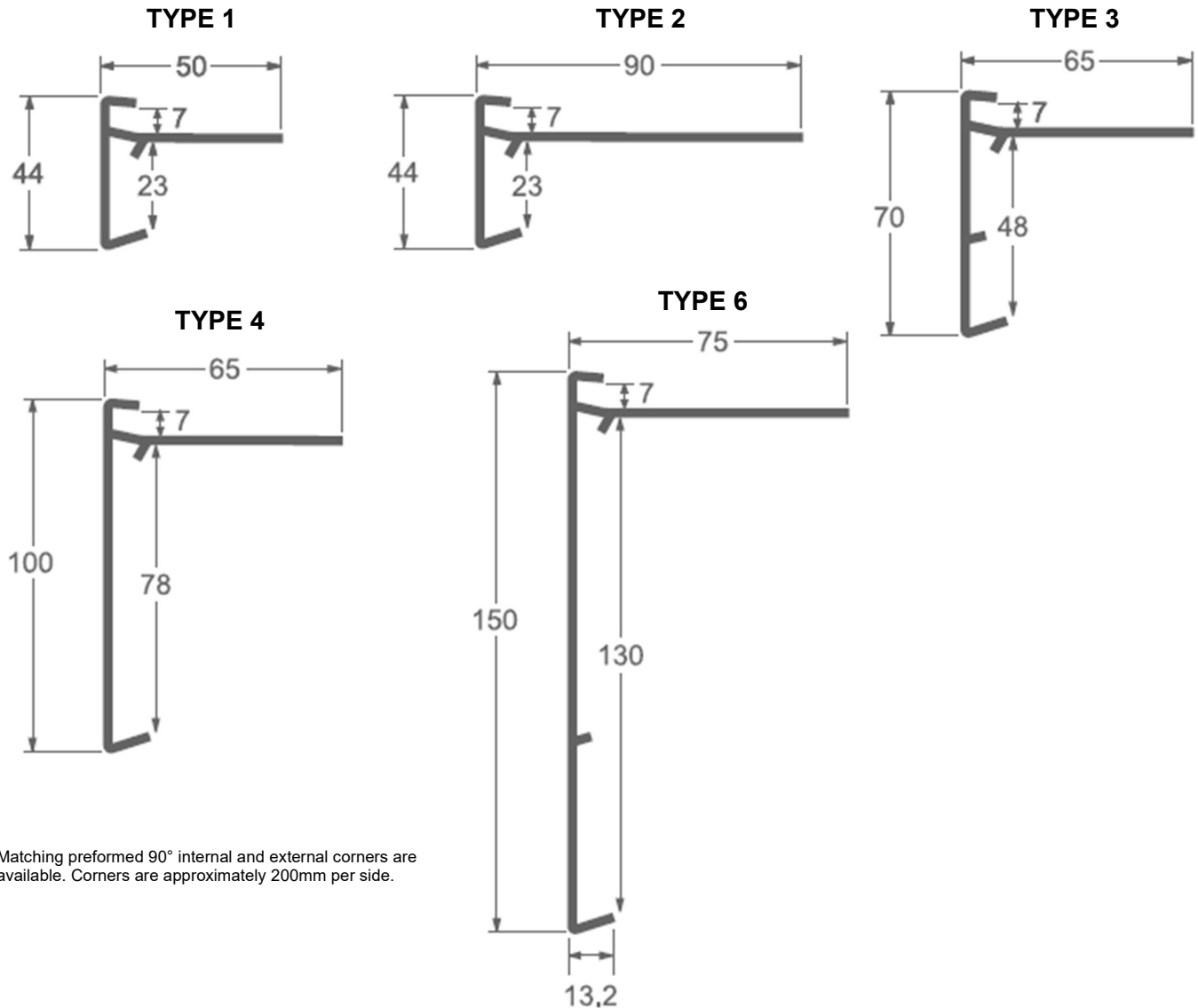
Where the top of the parapet is installed flat or has no inward fall, we would strongly recommend using the GRP Water Check Trim to avoid any standing water being blown over the trim and staining the brickwork/render.



Important note: Bauder GRP Water Check Trim to be used on parapets and perimeter kerbs with no inward fall or are over 200mm in width – **must** not be used on its own as a check kerb.

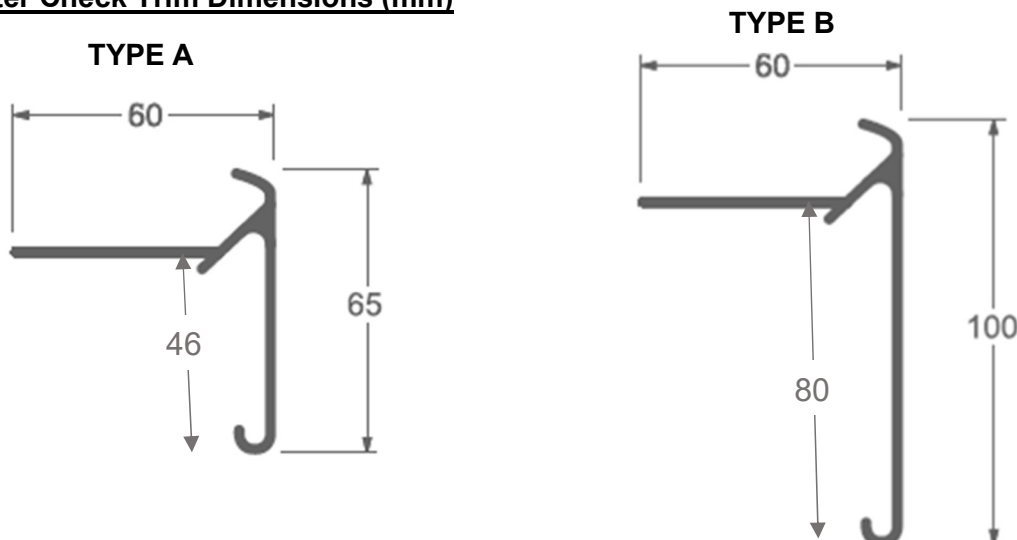
Technical data sheet

GRP Trim Dimensions (mm)

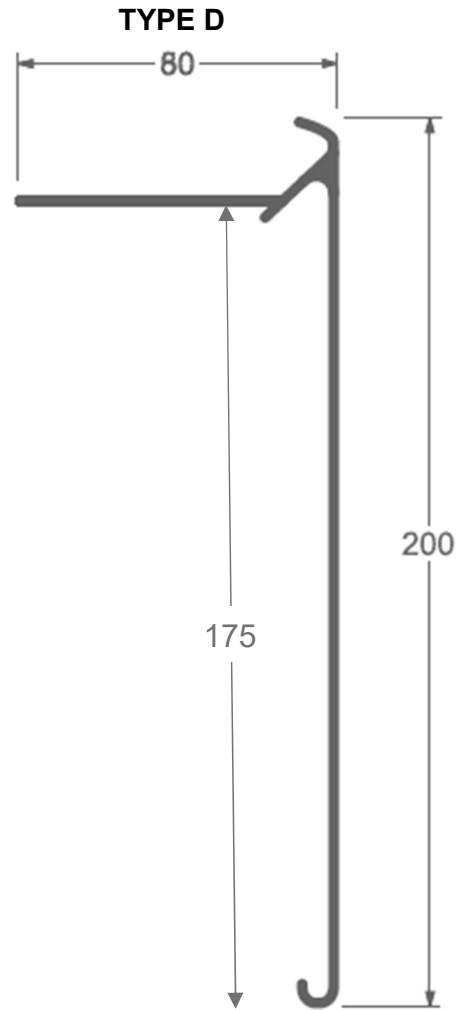
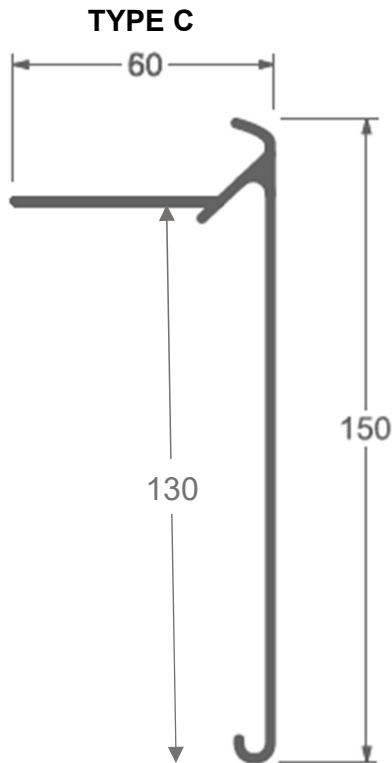


Matching preformed 90° internal and external corners are available. Corners are approximately 200mm per side.

GRP Water Check Trim Dimensions (mm)



Technical data sheet



Matching preformed 90° internal and external corners are available. Corners are approximately 214mm per side.

Safety Data Sheets are designed to provide the necessary information to recipients of substances and mixtures in the EU & UK. This product is classed as an article; therefore, this product does not have a requirement for a Safety Data Sheet.